

# Cryogenic Gas Relief Valves, ASME PRV19430 & PRV29430 Series

## Application

The 19430 and 29430 relief valves are designed for oxygen and other industrial gases and for cryogenic service in the vapor space. Apply on piping systems, liquid cylinders or mini-bulk cryogenic containers where an ASME relief valve is required.

## Features

- A.S.M.E. rated, National Board Certified.
- Bubble tight at 95% of set pressure.
- Full flow at 110% at set pressure.
- Repeatable performance.
- 100% factory tested.
- Temperatures Range (Teflon Seat) -320° to +165° F. (-196°C to +74°C)
- Temperatures Range (Fluorosilicone Seat) -60° to +165° F. (-51°C to +74°C)
- Cleaned and packaged for oxygen service per CGA G-4.1.
- Rated for gas service only
- Easy to read color coded barg/mpa labels.
- Tamper resistant

## Materials SS Style

Body .....	Stainless Steel
Spring .....	Stainless Steel
Seat Retainer.....	Stainless Steel
Pipe-Away Adapter .....	Stainless Steel

## Materials PRV and B-Style

Body .....	Brass
Spring .....	Stainless Steel
Seat Retainer.....	Brass
Pipe-Away Adapter .....	Brass

## Flow Performance

For set pressures 90 - 600 capacity is 0.783 SCFM of air per PSIA of flow pressure. For set pressures 15 - 89 capacity is 0.750 SCFM of air per PSIA of flow pressure. Flow pressure per ASME is 10% above set pressure or +3 psig, whichever is greater.

## Ordering Information

Fill in the blanks with options below.

Example: PRV019432T350      Blank or "P"

PRV	1	9432	T	350
Style	Body	Size	Seat	Set
	Material		Material	Pressure
			Drain Hole	

## Body Material

- 1 ASME approved valve made of brass
- 2 ASME approved valve made of stainless steel

## Seat Material

- F for Fluorosilicone for 15 to 139 psig (6.2 - 9.5 barg) set points.
- T for PTFE for 140-600 psig (9.6 - 41.4 barg) set points.

## Drain Hole

Leave blank for relief with drain hole. Insert P if no drain hole.

## Set Pressure

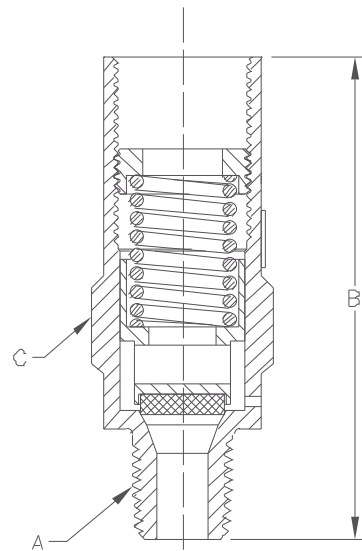
Enter number for set pressure in psig (6.2 - 41.4 barg) from 15 to 600.

## Ordering Information

Part Number	Material	Inlet A	Height B	Wrenching Hex C	Orifice Size
PRV19432	Brass	1/4"	2.6	7/8"	.062 sq. inch
PRV29432	Stainless Steel				
PRV19433	Brass	3/8"	2.8	7/8"	
PRV29433	Stainless Steel				
PRV19434	Brass	1/2"	2.8	7/8"	
PRV29434	Stainless Steel				



19430 Series



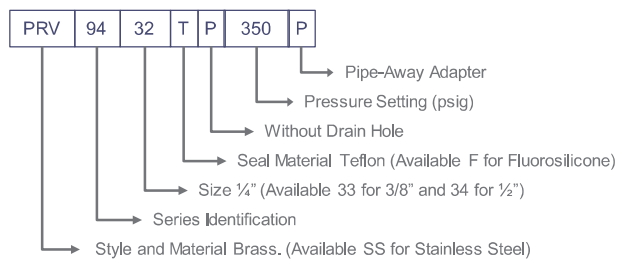
Setpoint tolerance is  $\pm 3\%$  of the set pressure or  $\pm 2$  psi whichever is greater.

**WARNING:** Inspection and maintenance of pressure relief valves is very important. Failure to properly inspect and maintain pressure relief valves could result in personal injuries or property damage. The useful safe service life of a pressure relief valve may be significantly affected by the service environment.

# Pressure Setting and Flow Data PRV9400, PRV19430 & PRV29430

Pressure Setting and Flow Data PRV9430 Series								
Pressure Setting psig	barg	Air Flow Capacity SCFM	Pressure Setting psig	barg	Air Flow Capacity SCFM	Pressure Setting psig	barg	Air Flow Capacity SCFM
15	1.0	25	215	14.8	197	450	31.0	399
20	1.4	28	220	15.2	201	460	31.7	408
22	1.5	30	225	15.5	205	470	32.4	416
25	1.7	32	230	15.9	210	480	33.1	425
30	2.1	36	235	16.2	214	490	33.8	434
35	2.4	40	240	16.5	218	500	34.5	442
40	2.8	44	250	17.2	227	510	35.2	451
45	3.1	48	260	17.9	235	520	35.9	459
50	3.4	52	270	18.6	244	530	36.5	468
55	3.8	56	275	19.0	248	540	37.2	477
60	4.1	61	280	19.3	253	550	37.9	485
65	4.5	65	285	19.7	257	560	38.6	494
70	4.8	69	290	20.0	261	570	39.3	502
75	5.2	73	300	20.7	270	580	40.0	511
80	5.5	77	310	21.4	279	590	40.7	520
85	5.9	81	320	22.1	287	600	41.4	528
90	6.2	89	325	22.4	291			
100	6.9	98	330	22.8	296			
110	7.6	106	340	23.4	304			
120	8.3	115	350	24.1	313			
125	8.6	119	360	24.8	322			
130	9.0	123	370	25.5	330			
140	9.7	132	375	25.9	334			
150	10.3	141	380	26.2	339			
160	11.0	149	390	26.9	347			
170	11.7	158	400	27.6	356			
175	12.1	162	410	28.3	365			
180	12.4	167	420	29.0	373			
190	13.1	175	425	29.3	378			
200	13.8	184	430	29.6	382			
210	14.5	192	440	30.3	390			

## Non-ASME Ordering Information



## ASME Ordering Information

